



Product Specification

General Specifications

Type	Woofer			
Nominal Diameter	2	inch	51	mm
Rated Impedance	8	Ω		
Power Handling Capacity	20	W(AES)		
Operating Bandwidth (± 10 dB)	100-20k	Hz		
Sensitivity @ 1W 1M	86	dB		
Effective Piston Diameter	41.8	mm	1.6	inch
Voice Coil Diameter	13.28	mm	0.5	inch

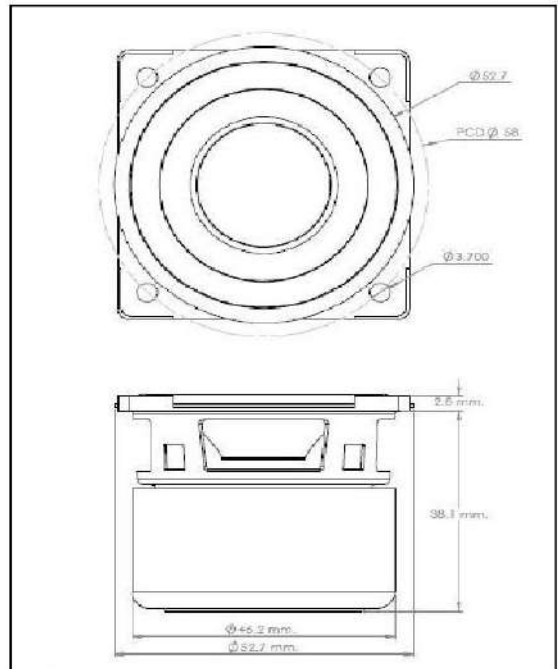
Code Number	F01010302121RAY		
Model Name	PA-200 8 OHM		
Description	2" Ferrite Woofer		
Customer Name	RAY		
Tester	Kanayut.s	Date	24-Dec-13
Engineer	Sopha.k	Date	25-Dec-13
Approved	Dom P.	Date	25-Dec-13

Physical Information

Magnet	Type	Ferrite		
	Size (mm)	(40X19X10)+(32X8)		
Basket	Weight	2.8 oz.		
	Material	Steel		
Voice Coil	Color	Black		
	Wire	CCA-W		
Cone	Former	KSV		
		Paper		
Surround		Cloth		
Dust Cap		PP		
Spider		Cotton		
Gasket		-		
Unit Weight	(kg)	0.22		
Packing Quantity		1/12		
size	(mm)	260	380	160
	(inch)	10.2	15.0	6.3
	cu.ft	0.56	Gross Weight	5.8 kg

Physical Dimensions

Overall Diameter	52.7	mm	2.1	inch
Baffle Cutout Diameter	46.2	mm	1.8	inch
Mouting Hole Diameter	58.0	mm	2.3	inch
Bolt Circle Diameter	4 x ϕ 3.7 mm			
Depth	38.1	mm	1.5	inch



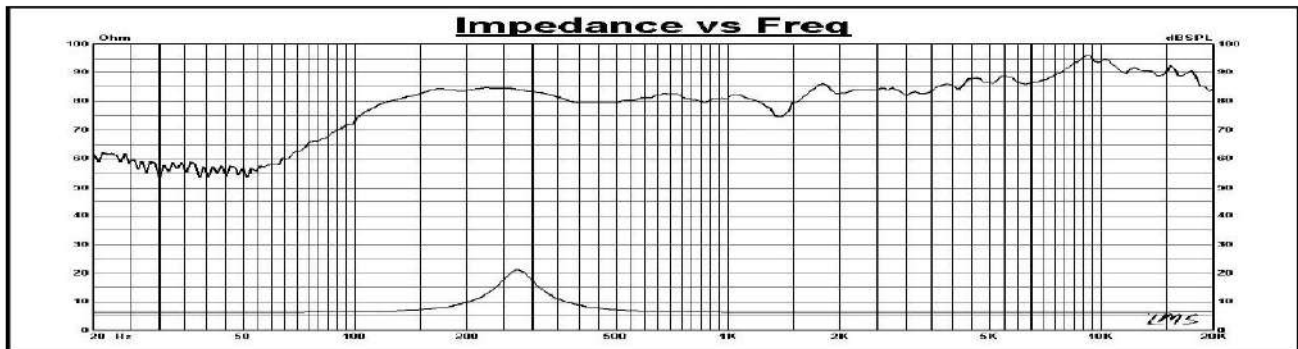
Thiele - Small Parameters

Resonance Frequency	F_s	272	Hz
DC Resistance	R_e	8.2	Ω
Mechanical Q Factor	Q_{ms}	9.88	
Electrical Q Factor	Q_{es}	1.61	
Total Q Factor	Q_{ts}	1.14	
BL Factor	BL	1.90	T x m
Moving mass including surround	M_{ms}	0.54	g
Moving mass excluding surround	M_{md}	0.51	g
Equivalent Gas air load	V_{as}	0.22	liters
Effective piston area	S_d	15.9	cm ²
Voice - coil inductance @ 1KHz	L_e	0.016	mH
Half-space efficiency	Eff	0.27	%
Mechanical compliance	C_{ms}	6.2 e-04	m/N
Loss resistance of suspension	R_{ms}	0.24	Ns/m
Voice Coil Over-Hung	X_{max}	1.05	mm
Argap Height	H_{ag}	4.0	mm
Voice coil Height	H_{vc}	6.1	mm

Power Test

Apply Voltage	-	V	Duration	-	hour
High pass	-	Hz	Low pass	-	Hz

Frequency Response



Revision	A
----------	---